



特性 FEATURES

- 工作温度高达 125℃
- 防尘罩和塑封型可供选择
- 可带瞬态抑制电阻
- 外形尺寸: 22.5 × 15 × 25mm
- Ambient temp can reach 125℃
- Dust protected type and sealed type available
- With transient suppression resistor
- Outline dimensions: 22.5 × 15 × 25mm

触点参数 CONTACT PARAMETERS

| | | |
|-----------|----------------------------|---|
| 触点形式 | Contact Arrangement | 1A,1C |
| 触点材料 | Contact Material | 银合金 Silver Alloy |
| 接触压降 (初始) | Voltage Drop(Initial) | 典型值 Typ. 20 mV, 最大值 Max. 250mV (at 10A) |
| 最大连续电流 | Maximum continuous current | 30A(125℃, 1H) |
| 最大切换电压 | Max. Switching Voltage | 27VDC |
| 电气寿命 | Electrical Life | 见附表 1 See schedule 1 |
| 机械寿命 | Mechanical Life | 1 × 10 ⁶ 次 OPS |

性能参数 FUNCTION PARAMETERS

| | | |
|-------|-----------------------|--|
| 绝缘电阻 | Insulation Resistance | 100MΩ (500VDC) |
| 介质耐压 | Dielectric Strength | 触点与线圈间 Between Coil & Contacts: 500VAC 1min |
| | | 断开触点间 Between Open Contacts: 500VAC 1min |
| 动作时间 | Operate Time | ≤10ms |
| 释放时间 | Release Time | ≤10ms |
| 环境温度 | Ambient Temperature | -40℃ ~+125℃ |
| 振动 | Vibration | 10Hz~1000Hz, 19.8m/s ² |
| 冲击 | Shock | 1000m/s ² |
| 引出端方式 | Terminal Form | 快速接式引出端 QC |
| 封装形式 | Construction | 防尘罩型 Dust Protected, 塑封型 Sealed |
| 重量 | Unit Weight | 约 Approx. 20g |
| 机械性能 | Mechanical Data | 外壳保持力: (拉和压) 200N Cover Retention: (Pull & Push) 200N |
| | | 引出脚保持力: (拉和压) 100N Terminal Retention: (Pull & Push) 100N |
| | | 引出脚抗弯曲力: (各方向) 10N Terminal Resistance To Bending: (Front & Side) 10N |

附表 1 SCHEDULE 1

| 负载电压 Load Voltage | 负载类型 Load Type | | 触点负载电流 Load Current | | | 通断比 On/Off Ratio | | 电耐久性 (次) Electrical Endurance OPS | 试验环境温度 Ambient Temp. |
|----------------------|-------------------|----------|------------------------|----|-----|---------------------|-----------|--------------------------------------|--|
| | | | A | | | s | | | |
| | | | 1C | 1A | 1A | 接通 On | 断开 Off | | |
| 14VDC | 阻性 Resistive | 接通 Make | 20 | 10 | 20 | 2 | 2 | 1 × 10 ⁵ | 详见电耐久性试验 环境温度曲线 See Ambient Temp. Curve |
| | | 断开 Break | 20 | 10 | 20 | 2 | 2 | 1 × 10 ⁵ | |
| | 感性 Flasher | 接通 Make | 40 | 20 | 40 | 2 | 2 | 1 × 10 ⁵ | |
| | | 断开 Break | 20 | 10 | 20 | 2 | 2 | 1 × 10 ⁵ | |
| | 灯 Lamp | 接通 Make | 100 | - | 100 | 2 | 2 | 1 × 10 ⁵ | |
| | | 断开 Break | 20 | - | 20 | 2 | 2 | 1 × 10 ⁵ | |
| 27VDC | 阻性 Resistive | 接通 Make | 20 | 10 | 20 | 2 | 2 | 1 × 10 ⁵ | |
| | | 断开 Break | 20 | 10 | 20 | 2 | 2 | 1 × 10 ⁵ | |

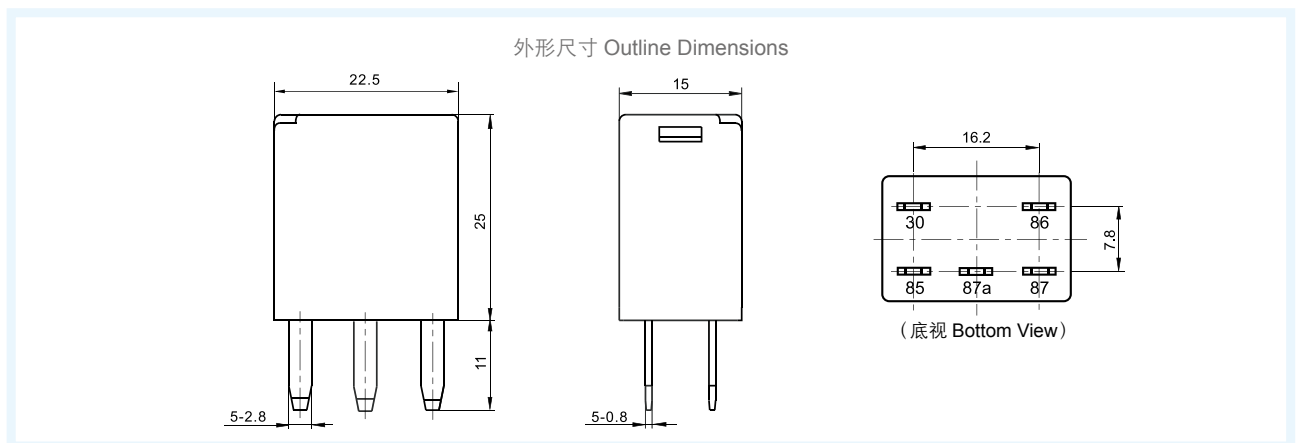
线圈规格表 COIL DATA(23℃)

| 额定电压 Rated Voltage VDC | 动作电压 Operate Voltage VDC | 释放电压 Release Voltage VDC | 线圈电阻 Coil Resistance $\Omega \pm 10\%$ | 线圈功率 Coil Power W | 并联电阻 Parallel Resistance $\Omega \pm 10\%$ | 等效电阻 Equivalent Resistance $\Omega \pm 10\%$ | 允许最大线圈电压 ⁽¹⁾ Max Allowable Overdrive Voltage VDC | |
|------------------------------|--------------------------------|--------------------------------|--|-------------------------|--|--|---|------|
| | | | | | | | 20℃ | 85℃ |
| 12 | ≤7.2 | ≥1.2 | 109 | 1.3 | - | - | 20.4 | 14.9 |
| 12 | ≤7.2 | ≥1.2 | 90 | 1.5 | 680 | 93.9 | 20.4 | 14.9 |
| 24 | ≤14.4 | ≥2.4 | 360 | 1.6 | - | - | 36 | 28 |
| 24 | ≤14.4 | ≥2.4 | 360 | 1.8 | 2700 | 317.6 | 36 | 28 |

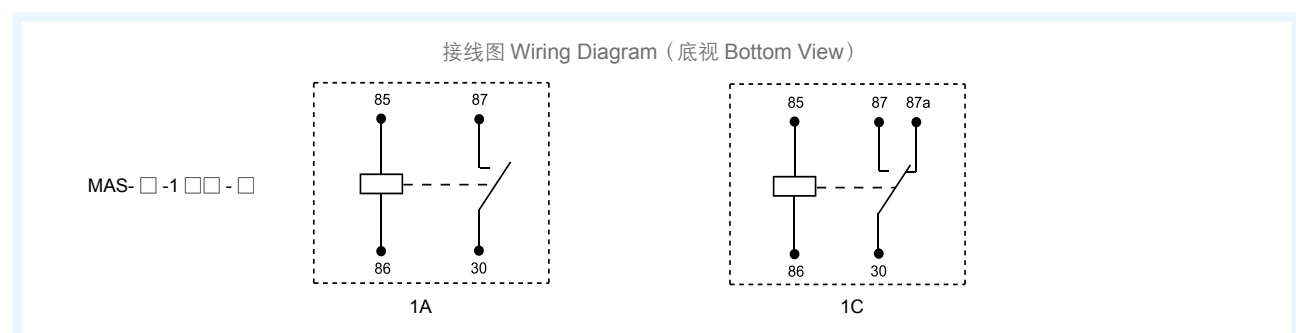
注意:(1)触点无负载电流、线圈电阻为最小值情况下,继电器线圈允许施加的最大连续工作电压。
 Note:(1) Max. Allowable overdrive voltage is stated with no load applied minimum coil resistance.

订货标记示例 ORDERING INFORMATION

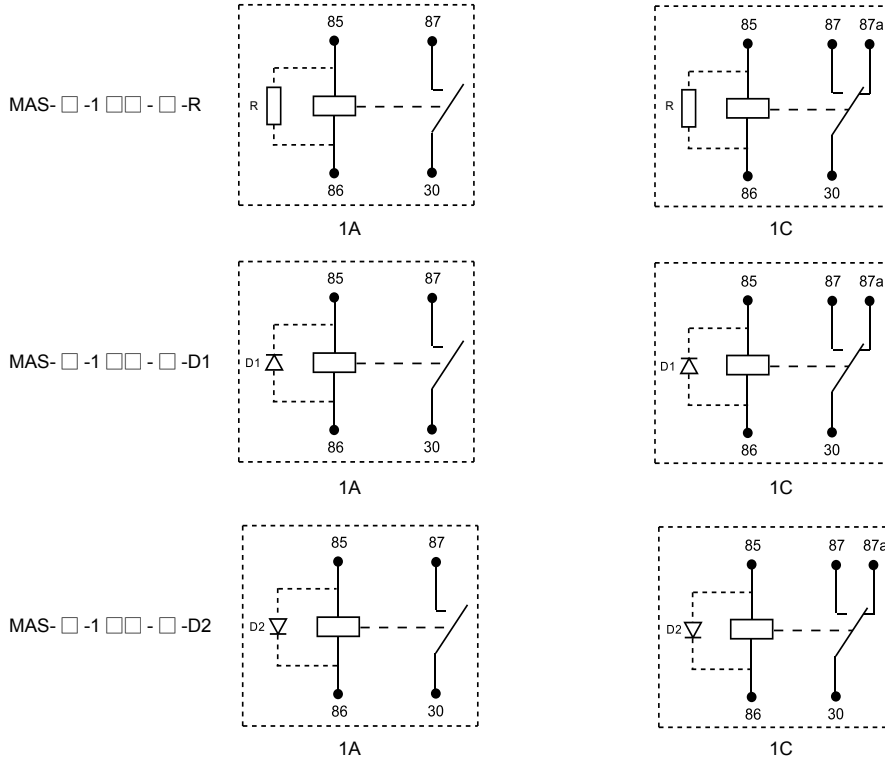
| | | | | | | | | | |
|--------|--------------------------|--|--|------------|-----------|-----------|-----------|-----------|-----------|
| | | | | MAS | -S | -1 | 12 | -A | -R |
| 产品型号 | Model: | MAS | | | | | | | |
| 产品结构 | Structure: | 无 Nil: 防尘罩型 Dust Protected S: 塑封型 Sealed | | | | | | | |
| 触点组数 | Contact Group: | 1: 1组 1 Group | | | | | | | |
| 线圈电压 | Coil Voltage: | 12: 12VDC 24: 24VDC | | | | | | | |
| 触点形式 | Contact Form: | A: 常开 NO 无 Nil: 不带瞬态抑制电阻 Without Resistor R: 并联电阻 With Resistor | | | | | | | |
| 线圈并联电阻 | Coil Derived Resistance: | D1: 并联二极管 (阳极接 #86)With Parallel Diode (Anode on 86) D2: 并联二极管 (阳极接 #85)With Parallel Diode (Anode on 85) | | | | | | | |

外形尺寸、接线图、安装孔尺寸 OUTLINE DIMENSIONS,WIRING DIAGRAM AND PCB LAYOUT(单位 Unit: mm)


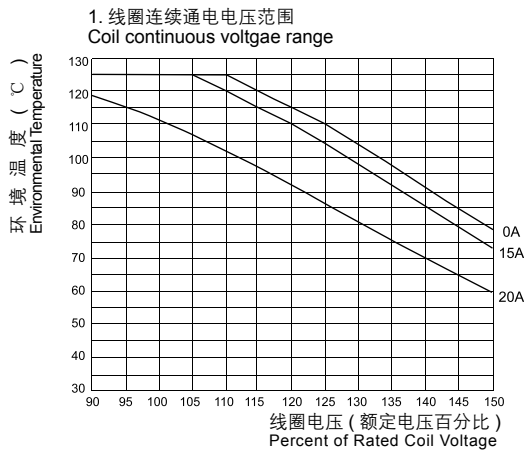
备注:产品部分外形尺寸未注尺寸公差,当外形尺寸≤1mm,公差为±0.2mm;当外形尺寸在1~5mm之间时,公差为±0.3mm;当外形尺寸>5mm时,公差为±0.4mm;
 REMARK: In case of no tolerance shown in outline dimension: outline dimension ≤1mm, tolerance should be ±0.2mm; outline dimension > 1mm and ≤5mm, tolerance should be ±0.3mm; outline dimension > 5mm, tolerance should be ±0.4mm;



接线图 Wiring Diagram (底视 Bottom View)

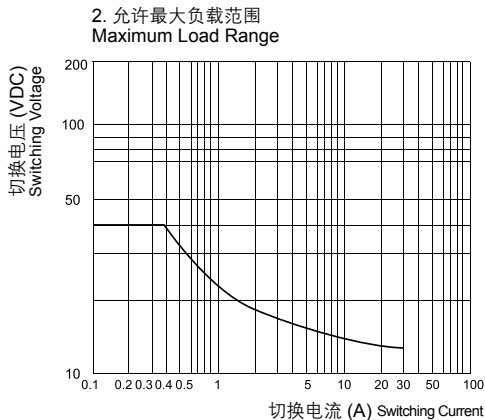


性能曲线图 PERFORMANCE CURVE



说明:
(1) 动作电压与线圈预通电电压有关, 预通电后检查动作电压, 其值会变大
(2) 线圈最大允许温度为 180℃, 考虑到电阻法所测量的线圈温升是平均值, 推荐在不同使用环境、不同线圈电压、不同负载条件下测量时, 线圈温度应小于 170℃。
(3) 当线圈实际工作电压超出曲线规定范围时, 请联系美硕并提供相应详细使用条件。

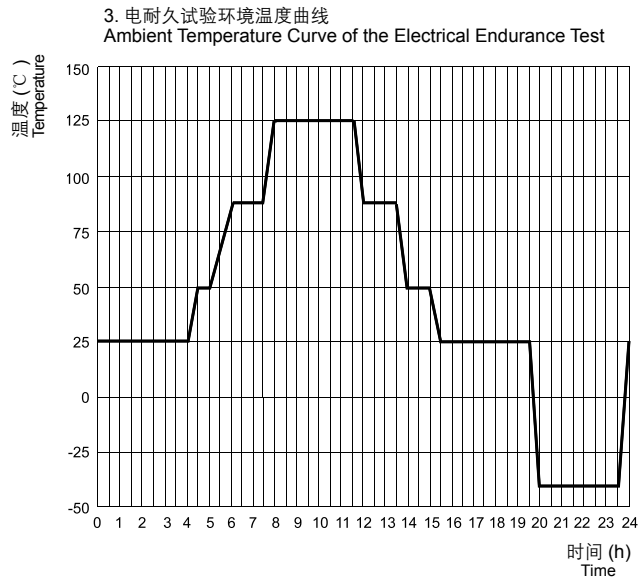
(1) The operating voltage is connected with coil pre-energized time and voltage. After pre-energized, the operating voltage will increase.
(2) The maximum allowable coil temperature is 180℃. For the coil temperature rise which is measured by resistance is average value, we recommend the coil temperature should be below 170℃ under the different application ambient, different coil voltage and different load etc.
(3) If the actual operating coil voltage is out of the specified range please contact meishuo for further details.



说明:
产品按触点参数表进行负载与耐久性试验, 当实际使用的负载电压、电流、动作频率任一项与触点参数表不同时, 请重新进行确认试验。

The load and electrical endurance tests are made according to "CONTACT DATA" parameters' table. If actual load voltage, current, or operate frequency is different from "CONTACT DATA" table, please arrange corresponding tests for confirmation.

性能曲线图 PERFORMANCE CURVE



说明:
 (1) 最低温度为 -40°C
 (2) 最高去温度为 125°C
 (1) The minimum teperature is -40°C .
 (2) The maximum temperature is 125°C

声明 STATEMENT:

本产品规格书仅供客户使用时参考，若有更改，恕不另行通知。

客户应根据具体的使用条件选择与之相匹配的产品。如有疑问，请与美硕联系获取更多的技术支持，但产品选型责任由客户承担。

This product specification is for reference only to customers, subject to change without notice.

The customer should select the matching product according to the use condition. Any questions, please feel free contact us to get more technical support. However, product selection responsibility only by the customer.

© Copyright Zhejiang MEISHUO Electric Technology Co.,Ltd. All right reserved.